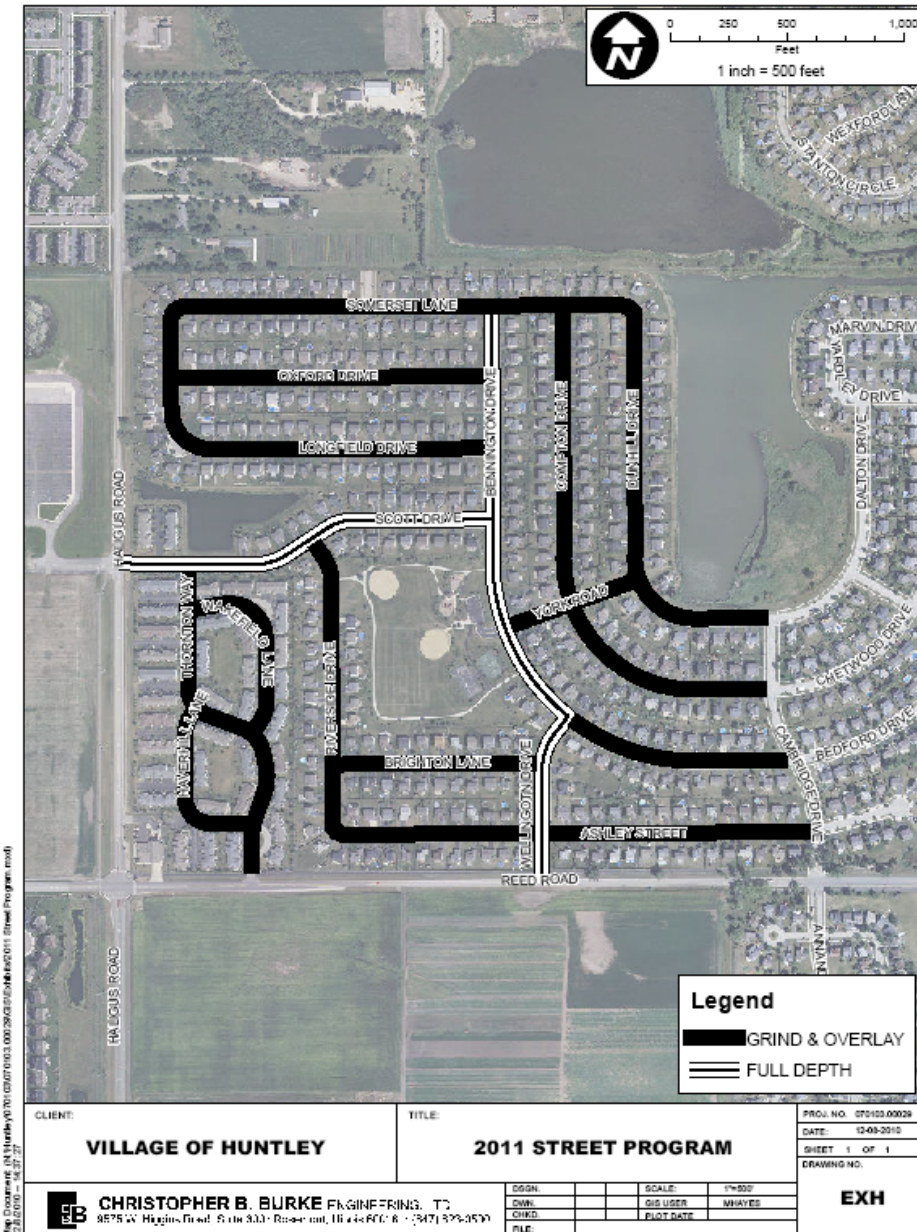




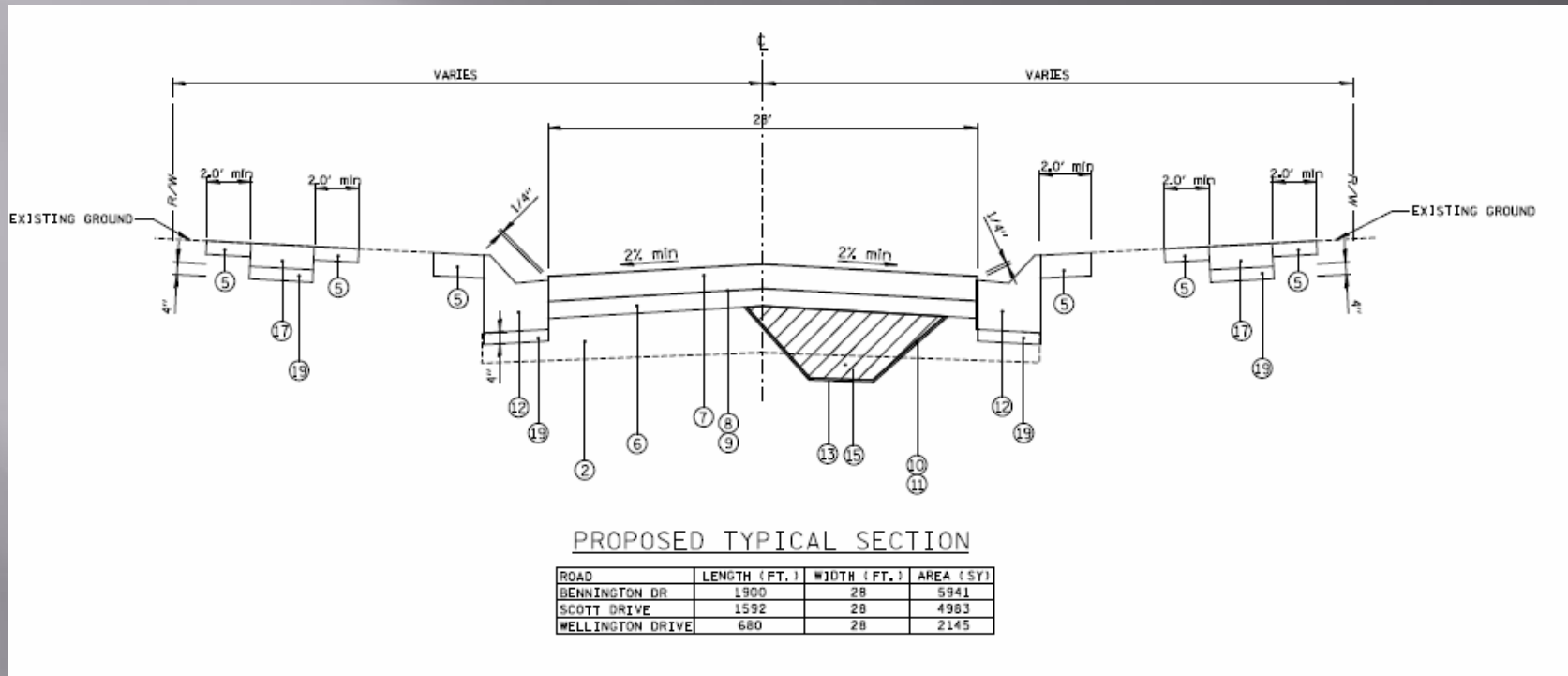
# 2011 VILLAGE OF HUNTLEY MFT STREET PROGRAM

# Streets Include



- Somerset Lane
- Oxford Drive
- Longfield Drive
- Dunhill Drive
- Compton Drive
- York Road
- Bennington Drive
- Scott Drive
- Ashley Street
- Wellington Drive
- Brighton Lane
- Riverside Drive
- Thornton Way
- Haverhill Lane
- Wakefield Lane

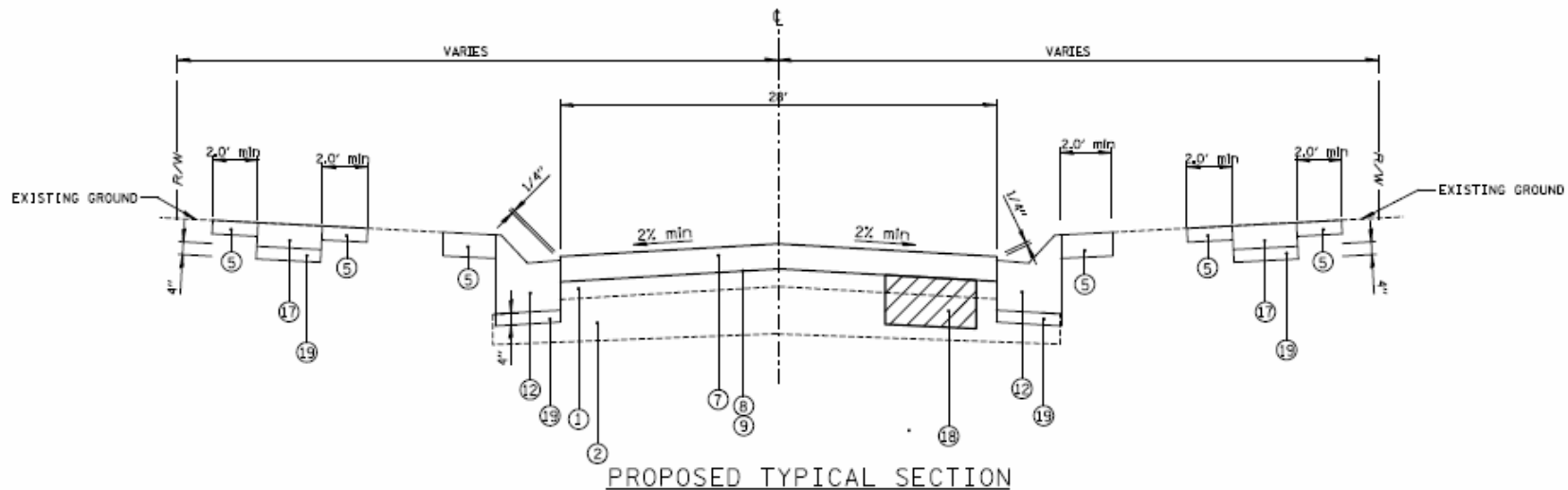
# Description of Improvements Wellington, Bennington, Scott



- Spot Curb & Gutter Replacement
- Driveway & Sidewalk Repairs
- 4" Surface Removal
- 2 ½" Binder Course Placement
- 1 ½" Surface Course Placement
- Restoration & Sign Replacements

# Description of Improvements

Ashley, Brighton, Riverside, Scott, Bennington, Compton, Dunhill, York, Somerset, Oxford, Longfield, Thornton, Haverhill, Wakefield



- Spot Curb & Gutter Replacement
- Driveway & Sidewalk Repairs
- 1 ½" Surface Removal
- 1 ½" Surface Course Placement
- Restoration & Sign Replacements

# Project Schedule

|   | April            | May             |                 |                  |                  |                  | June            |                  |                  |                  |
|---|------------------|-----------------|-----------------|------------------|------------------|------------------|-----------------|------------------|------------------|------------------|
| Week Beginning                            | 25 <sup>th</sup> | 2 <sup>nd</sup> | 9 <sup>th</sup> | 16 <sup>th</sup> | 23 <sup>rd</sup> | 30 <sup>th</sup> | 6 <sup>th</sup> | 13 <sup>th</sup> | 20 <sup>th</sup> | 27 <sup>th</sup> |
| Curb, Sidewalk & Driveway Repair          | Active           | Active          | Active          | Active           |                  |                  |                 |                  |                  |                  |
| Surface Removal and Aggregate Base Repair |                  |                 |                 | Active           | Active           | Active           |                 |                  |                  |                  |
| HMA Binder and Surface Courses            |                  |                 |                 |                  |                  |                  | Active          | Active           |                  |                  |
| Pavement Markings, Signage & Landscaping  |                  |                 |                 |                  |                  |                  |                 |                  | Active           | Active           |

Completion Date = July 10th

# ADA Compliant Detectable Warnings



# Frequently Asked Questions

- Access to Driveways
  - Concrete Replacement
  - Existing Pavement Removal
  - Pavement placement
- Restoration
  - Sodding
  - Watering

# ??? QUESTIONS OR CONCERNS ???

Contact Greg Sanders with CBBEL  
at 847-417-0059